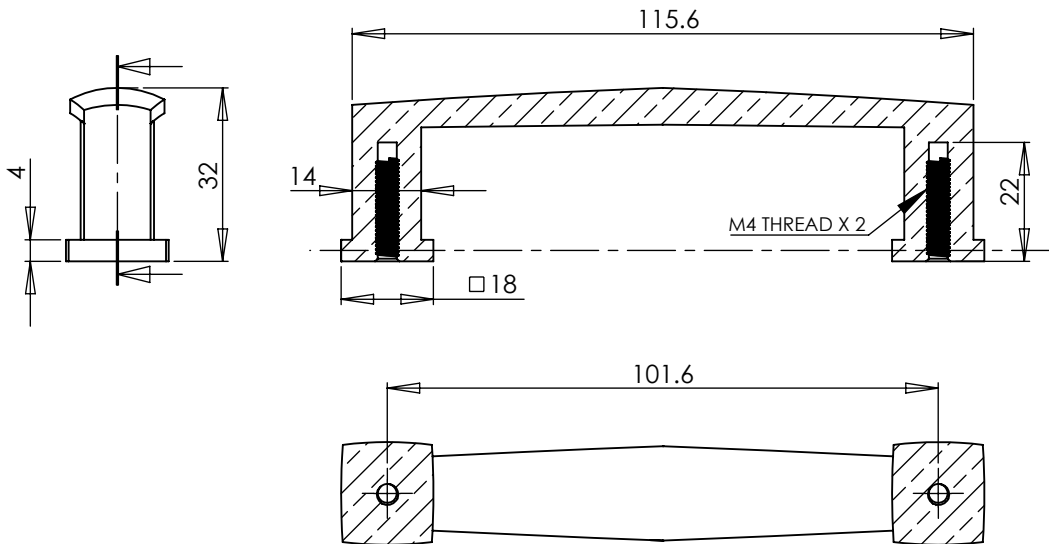


C4384 102 VINTAGE CABINET PULL HANDLE

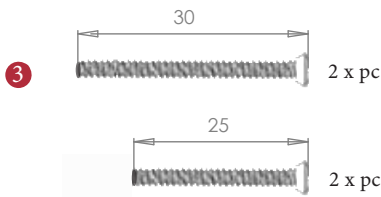


2

1



2 Dimensions: see the outlines given above



FINISHES

- ME Matt Bronze finish
- SB Satin Brass finish
- PN Polished Nickel finish
- SN Satin Nickel finish
- AT Antique Brass finish
- SC Satin Chrome finish
- PE Polished Brass finish
- PC Polished Chrome finish

Overview

1 Cabinet Pull illustrated

2 General Dimension of Cabinet Pull

3 Supplied in pairs with:
2x 30mm machine screw
2x 25mm machine screw

M Marcus Ltd., Dudley

Product Code

C4384 102

Material

Solid Brass

Sizes shown are in mm and approximate. We reserve the right to amend where necessary and without any prior notice.