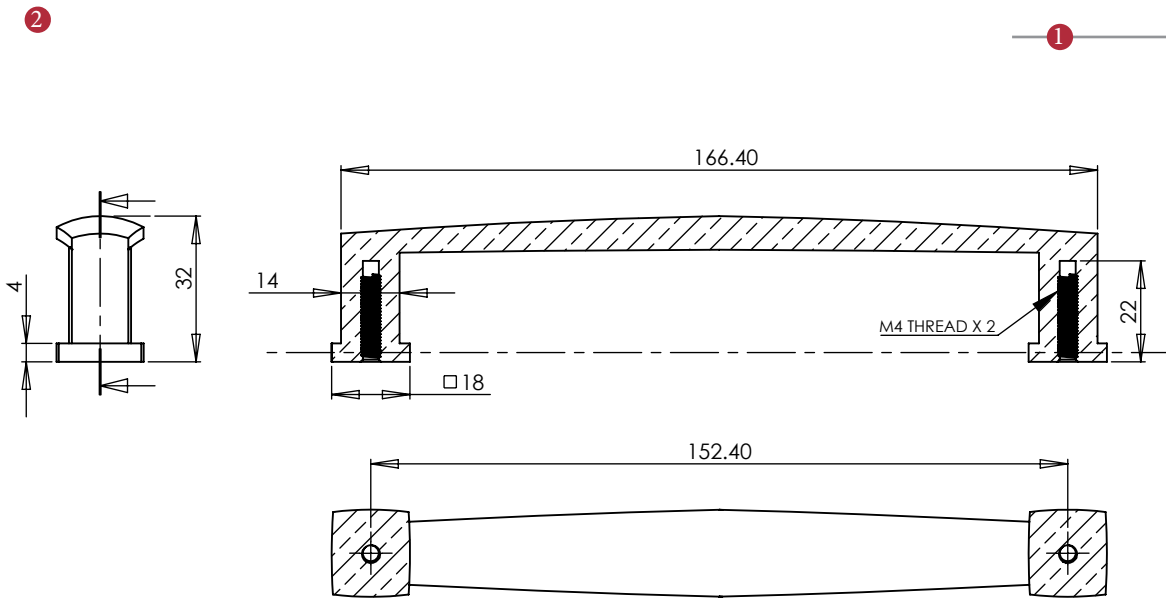
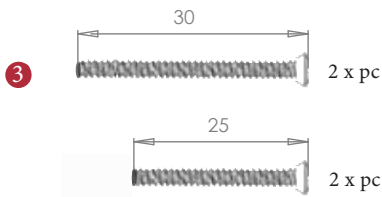


C4384 152 VINTAGE CABINET PULL HANDLE



② Dimensions: see the outlines given above



FINISHES

- ME Matt Bronze finish
- SB Satin Brass finish
- PN Polished Nickel finish
- SN Satin Nickel finish
- AT Antique Brass finish
- SC Satin Chrome finish
- PE Polished Brass finish
- PC Polished Chrome finish

Overview

① Cabinet Pull illustrated

② General Dimension of Cabinet Pull

③ Supplied in pairs with:  
2x 30mm machine screw  
2x 25mm machine screw

 M Marcus Ltd., Dudley

Product Code

C4384 152

Material

Solid Brass

Sizes shown are in mm and approximate. We reserve the right to amend where necessary and without any prior notice.