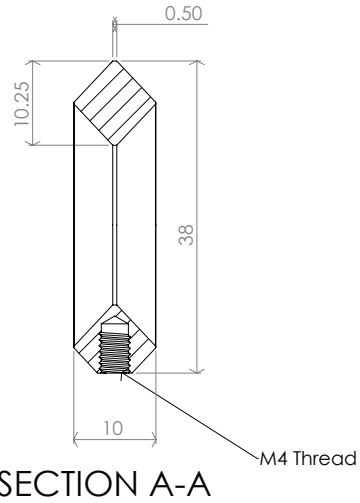
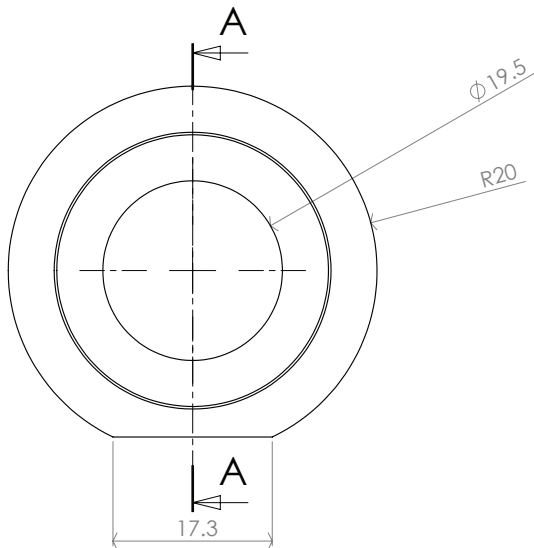


C-4553 CABINET KNOB

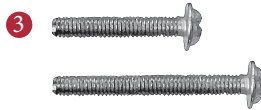


2

1



2 Dimensions: see the outlines given above



1 x M4 (28mm length)
1 x M4 (40mm length)

FINISHES

- AT Antique Brass finish
- ME Matt Bronze finish
- SB Satin Brass finish
- PN Polished Nickel finish
- SN Satin Nickel finish
- PE Polished Brass finish
- PC Polished Chrome finish

Overview

1	2	3
Cabinet knob illustrated	(General dimensions of cabinet knob)	Supplied with: 1 x M4 (28mm length) 1 x M4 (40mm length)


M Marcus Ltd., Dudley

Product Code

C-4553

Material

Solid Brass

Available in all Heritage Brass finishes.

Sizes shown are in mm and approximate. We reserve the right to amend where necessary and without any prior notice.